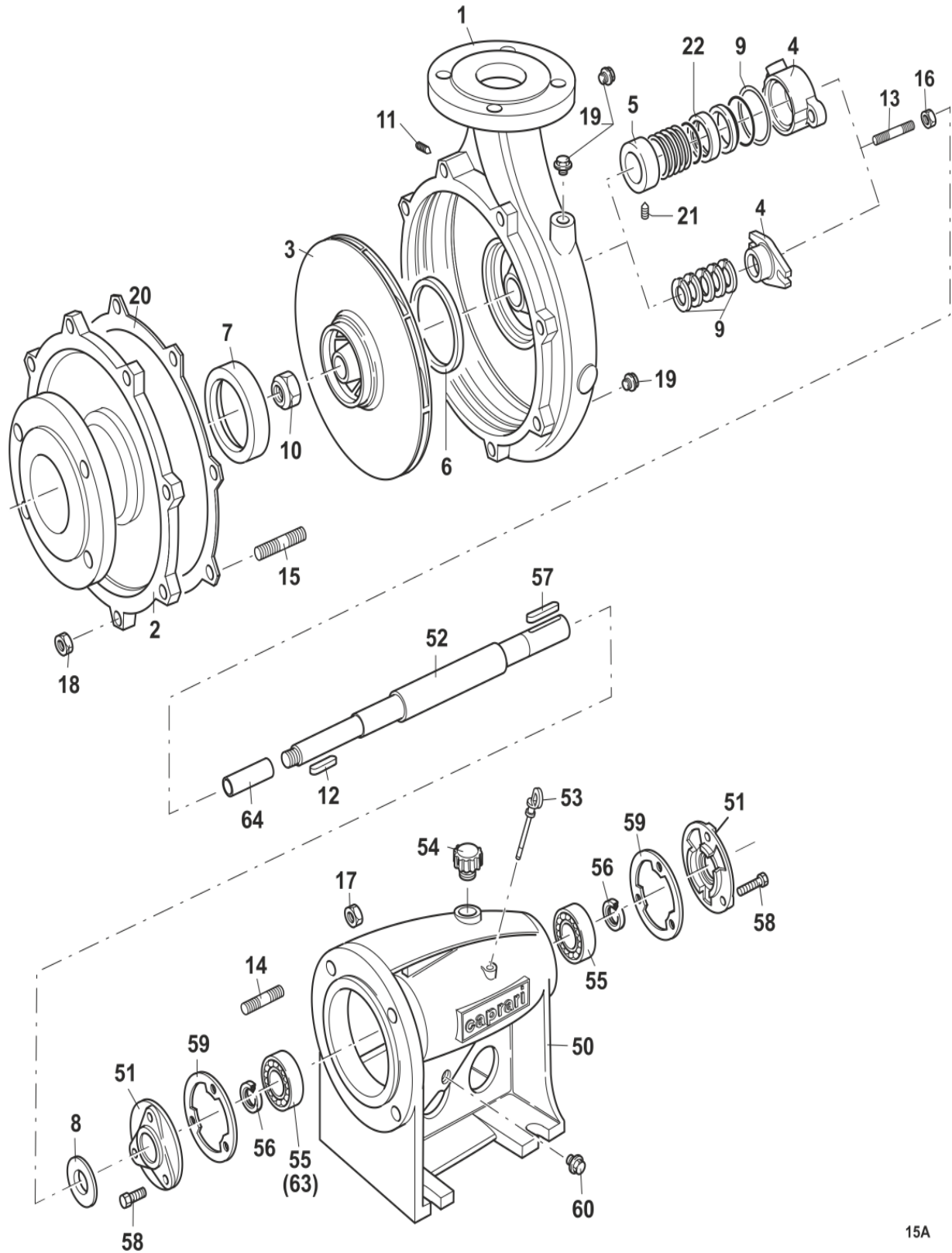


## 780422 - MEC-A4/80A HORIZONTAL PUMP



## COMPONENTS LIST

Pos.	Code	Serial N°	Description	Qty
	600100	MEC80/330A	HORIZONTAL HYDRAULIC PART	1 PZ
1	400084	MEC80/330-1	DELIVERY CASING	1 PZ
2	400395	MEC80/330-3	SUCTION COVER	1 PZ
3	400812	MEC80/330-5A	IMPELLER D.330	1 PZ
4	410633	MEC80/260-8	STUFFING BOX	1 PZ
5	420822	MEC80/260-43	LANTERN RING	1 PZ
6	440538	MEC80/200-165A	WEAR RING	1 PZ
7	440539	MEC80/200-165B	WEAR RING	1 PZ
8	310836	MEC80/260-18	DEFLECTOR	1 PZ
9	330345	MEC80/260-33	PACKING	5 PZ
10	330133	DS02310	NON-STANDARD NUT M24X2X21 UNI7474	1 PZ
11	300745	GC0735	DOWEL M10X12 UNI 5923-12.9	1 PZ
12	310434	LCH0760	FEATHER KEY A8X7X35 (TOL.UNI6604)-C50	1 PZ
13	300394	PN02007	STUD M10(6G/6G)X50 UNI5909	2 PZ
14	300367	PN0722	STUD M16(6G/6G)X35 UNI 5909-5.8	4 PZ
15	300361	PN0733	STUD M14(6G/6G)X30 UNI 5909-5.8	10 PZ
16	310201	DN01374	NUT M10 UNI5588-A2	2 PZ
17	310031	DN0724	NUT M16 UNI 5588-6S	4 PZ
18	310028	DN0734	NUT M14 UNI 5588-6S	10 PZ
19	310714	TF01304	PLUG 3/8"GAS CONICAL (AFL N.290/292)	3 PZ
20	330737	MEC125/330-141	GASKET FOR SUCTION COVER	2 PZ
	620042	MEC3A	BASE SUPPORT	1 PZ
50	440806	MEC3A-178	PEDESTAL	1 PZ
51	410672	MEC3A-9	BEARING COVER	2 PZ
52	411145	MEC3AU-1007	PUMP SHAFT + CSN L.576	1 PZ
53	310817	MEC3A-26	OIL DIPSTICK	1 PZ
54	310743	MEC1A-28	OIL FILTER PLUG	1 PZ
55	350045	CSN0172	BEARING 6307/C3	2 PZ
56	330259	AT01785	SEAL RING 35x52x7	2 PZ
57	310462	LCH0458	FEATHER KEY A10X8X70 UNI6604-C50	1 PZ
58	300055	VTE0116	SCREW M8X20 UNI 5739-8.8	6 PZ
59	330825	MEC3A-146	GASKET FOR FLANGE	2 PZ
60	310714	TF01304	PLUG 3/8"GAS CONICAL (AFL N.290/292)	1 PZ
64	410862	MEC3AU-220	SHAFT SPACER SLEEVE	1 PZ